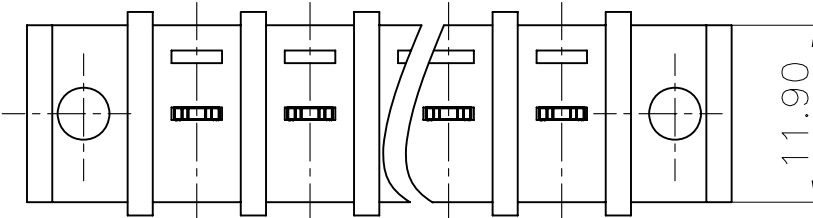
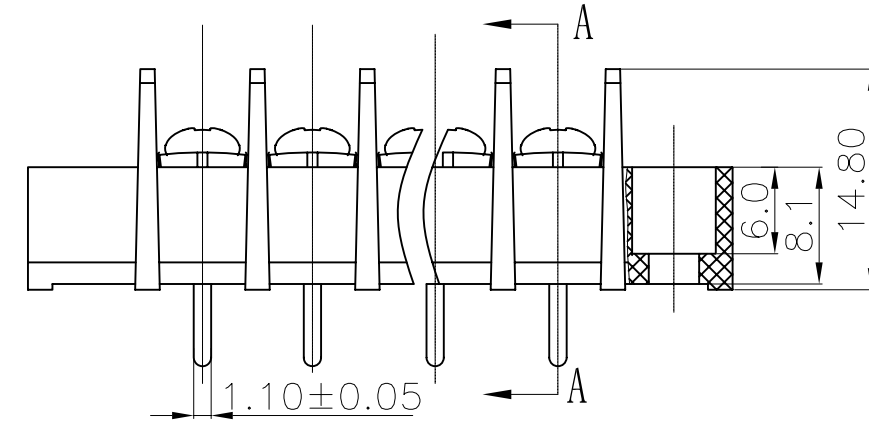
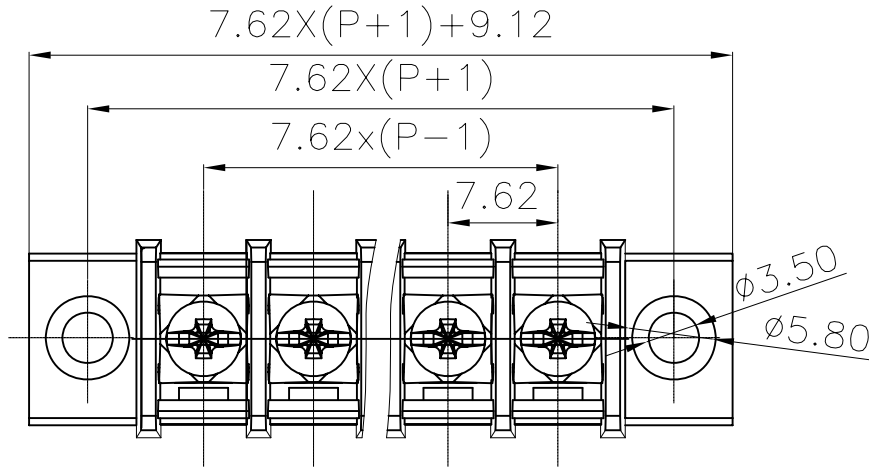


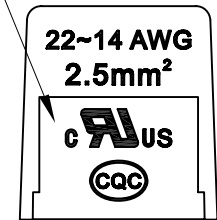
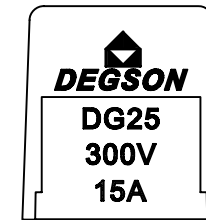
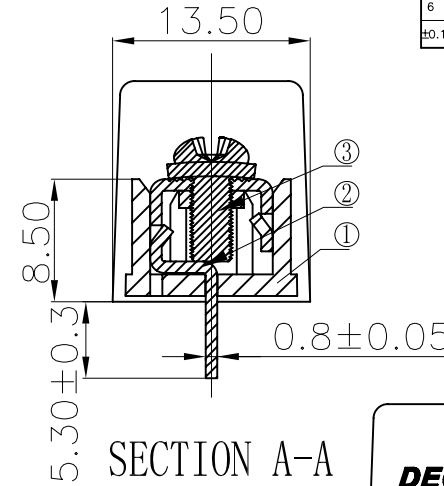
REVISION RECORD					
REV	ECO	DESCRIPTION	DRFT	DATE	
△		图面更新	CSX	07/18/06"	
△		增加UL刻字	YeJ	11/06/06"	



NOTES:

1. Pitch: 7.62mm
2. Rated current: 15A
3. Rated voltage: 300V
4. Operation temperatures: -40° C ~ +105° C
5. Insulation Withstand Voltage: AC2000V/1Min
6. Insulation Resistance: 500MΩ / DC500V
7. Wire Range: 22~14AWG
8. Max. Torque: 5.10kgf.cm
9. Undimensioned Tolerances:

Pitch range in mm			Nominal dimension range in mm				
to 6	over 6 to 10	over 10 to 24	over 6 to 6	over 30 to 90	over 90 to 200	over 200 to 480	∅
±0.10	±0.15	±0.25	±0.1	±0.2	±0.3	±0.5	±0.7



3	3*6 bright-Screw	S000000450 (H)	XX	Steel	Ni Plated
2	DG25C-Pin Header	5001B00010 (H)	XX	Brass	SnCe

1	DG25C Housing	5001MOYXXA (H)	1	PA66	UL94V-0	
ITEM	NAME OF PART	NO. OF PART	Q'TY	MATERIAL	NOTES	
DETACHED LISTS	MM (INCH)	DFTO DZJ	DATE 10/26/05"	宁波高正电子有限公司 DEGSON ELECTRONICS CO., LTD NAME DG25C-A-XXP-1Y-00A (H) DRAWING NO. DG25C-E11 /PART NO. FINISH : SCALE : 1:1 DO NOT SCALE DRAWING SHEET 1 OF 1		
	TOLERANCES EXCEPT AS NOTED		CHKD			DATE
			MFO			DATE
			APPVL			DATE
			MATERIAL :			
ANGLES ± 1°		G.E :		SIZE REV A3 T2 11/06/06"		
THIRD ANGLE PROJECTION						